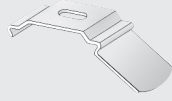


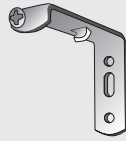
How To Fit Your Vertical Blinds

You Should Have:

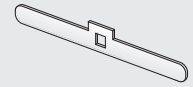
First Check You've Got All The Fittings That Come With Your Vertical Blind.



Top Fix Brackets: x 2 Min



Face Fix Bracket: x 2 Min



Hangers: x 1 Per Louvre



Allen Key: x 1



Stabilising Chains: x 2



Safety Hook: x 1



Wood Screws: x 4



Weight: x 1

Standard Fixings For The Most Common Installations Supplied

Getting Started

You Will Need:

- A Drill With Correct Bit
- A Crossheaded Screwdriver
- A Metal Measuring Tape
- A Pencil
- Your Brackets Are Packed Separately. Please Ensure You've Located Them Before Disposing Of The Packaging..
- There Are Two Bracket Types. One That Can Be Used To Top Fix The Blind Into A Recess And Another To Face Fix Into A Frame Or A Wall.
- Please Read The Following Instructions Carefully Before You Start Fitting Your Blind.

1

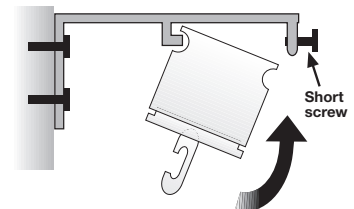
To Fix The Brackets

1. Locate The Measuring Points You Used To Calculate The Width Of The Blind. You May Be Able To Use The Head Rail As A Template.
2. Ensure The Brackets Are Positioned A Suitable Distance Away From Any Window Handles Or Obstructions To Allow The Blind To Operate Smoothly. If Top Fixing, You Can Use A Louvre Hanger As A Guide To Positioning Your Holes. If Face Fixing, Hold A Bracket In Position And Mark Where The Screws Will Go Using The Holes In The Bracket As A Guide.
3. Ideally, Position The Brackets 5cm In From Each End Of The Head Rail. Any Additional Brackets Can Be Fitted Centrally.
4. If You're Fitting To A Wall Or Lintel, Use A Drill With The Suitable Sized Bit To Make Your Holes, And Push In Rawlplugs.
5. If You're Fitting Into A Wooden Frame, Screw Your Brackets Into Position. You May Want To Make Pilot Holes To Allow Easier Fixing Of The Screws.
6. Fix The Bracket Into Place And Repeat For The Remaining Brackets.

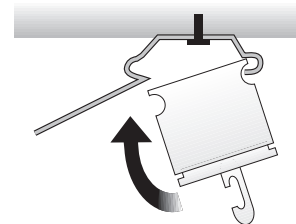
2

To Fit The Head Rail

1. **To Face Fix** - Loosen The Screws On The Front Of The Brackets Slightly, And With The Controls Towards The Desired Side, Hook The Head Rail Into Position And Tighten The Bracket Screws To Secure.



2. **To Top Fix** - With The Thumb Tab On The Bracket Facing Back, Hook The Front Edge Of The Head Rail Into The Bracket And Push Up At The Back Until It Clicks Into Position



Operating Your Blind:

Operating Your Blind Is Easy. Just Follow These Instructions

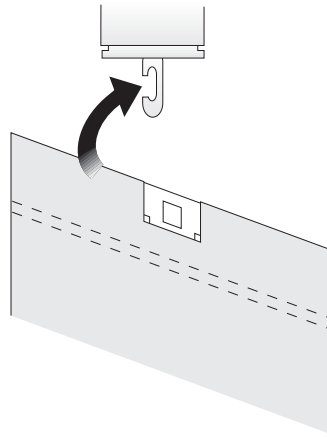
- To Adjust The Angle Of The Louvres, Pull The Chain And The Louvres Will Turn Through 180 Degrees.
- To Open And Close The Blind, Pull The Cord Ensuring The Louvres Are In The Open Position.
- If You Find A Louvre Is Out Of Alignment, Pull The Control Chain Until You Feel Some Resistance, And Then Pull A Little Harder To Bring The Louvre Back Into Line. You Will Hear A Clicking Noise As The Gearing In The Carrier Is Brought Back Into Line.

3

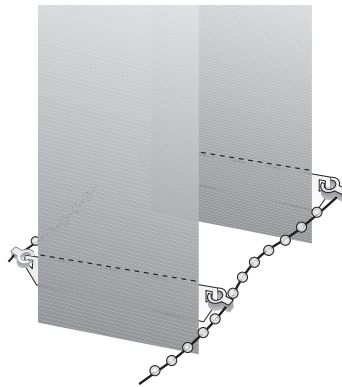
To Fit The Louvres

1. Break Open The Plastic On The Roll Of Louvres. Keeping Them In A Roll, Slot A Hanger Into Each One Making Sure That All The Hangers Are The Same Way Up. This Should Be Done With The Protruding Section Facing The Bottom.

Clip The Louvres Onto The Headrail Making Sure That The Fabric Overlaps Are At The Back. To Shorten The Length Of The Louvres, Turn The Hangers Upside Down In The Louvres.



2. Starting From One End, Snap The Stabilising Chain On To The Bottom Weights On Both Sides.



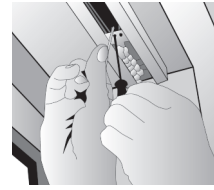
Safety tips:

There are things that you can do to reduce risk in your home.

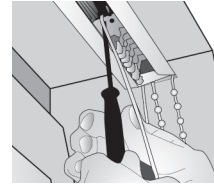
- Move Beds, Cots And Furniture Away From The Window.
- Do Not Let Cords Or Chains Hang Loose. Make Sure They Are Kept Out Of Reach Of Children At All Times.
- Do Not Tie Loose Cords And Chains Together.
- Check The Condition Of All Safety Devices If Not Used Regularly And Replace If The Device Is Faulty.

4

To Adjust The Cord Control



1. Take a tight hold of the knotted loose cord in the headrail, then loosen the screw that holds it in place using the Allen key.



2. Pull The Cord Until It's The Length You Want And Re-Tighten The Screw Using The Allen Key



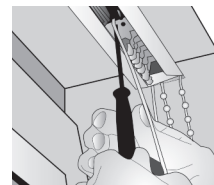
3. Re-Tie A Knot And Trim Off Any Excess Cord.

5

To Adjust The Chain Length



1. Undo The Chain Connector.



2. Shorten Both Pieces Of The Chain Equally So That They're The Same Length As The Cord, Then Trim Off The Excess.



3. Put The Ends Of The Chain In The Connector And Close It Up. Make Sure The Carriage Moves Smoothly Before You Fit The Louvres.

4. Fit The Safety Hook To A Wall Adjacent To The Blind Ensuring That The Cord And Chain Is Attached And Taut. This Safety Device Must Be Fitted In Line With Child Safety Legislation. For Specific Guidance On This Please Refer To Your Fitting And Using Child Safety Devices Leaflet.